

## INSTALINK™-FRM

### Fused Relay Module



- 1 form C (SPDT) relay contact with 5x20mm fuse in series with the common contact
- Relay and fuse status LEDs
- Mounts on 32 and 35mm DIN rails

All the INSTALINK™ modules were designed to provide users with practical features and easy installation using a simple jumpering system. They are not “state-of-the-art”, “earth shattering” or likely to put our competitors out of business. But they are easy to use and often combine in one module the features competitors can only offer through multiple products.

The INSTALINK™-FRM combines a 1 form C interposing relay module with a fuse terminal. The fuse can be rated up to 5A (not included with module) and is the industry standard 5x20mm size. The fuse status is indicated by a green LED. Unlike fuse blown indication

that produces a small leakage current the LED circuit on the FRM uses an external “N/-” connection. This is either the neutral in an AC circuit or the 0V side of a 24Vdc supply. This eliminates any leakage currents as the LED turns off if fuse blows.

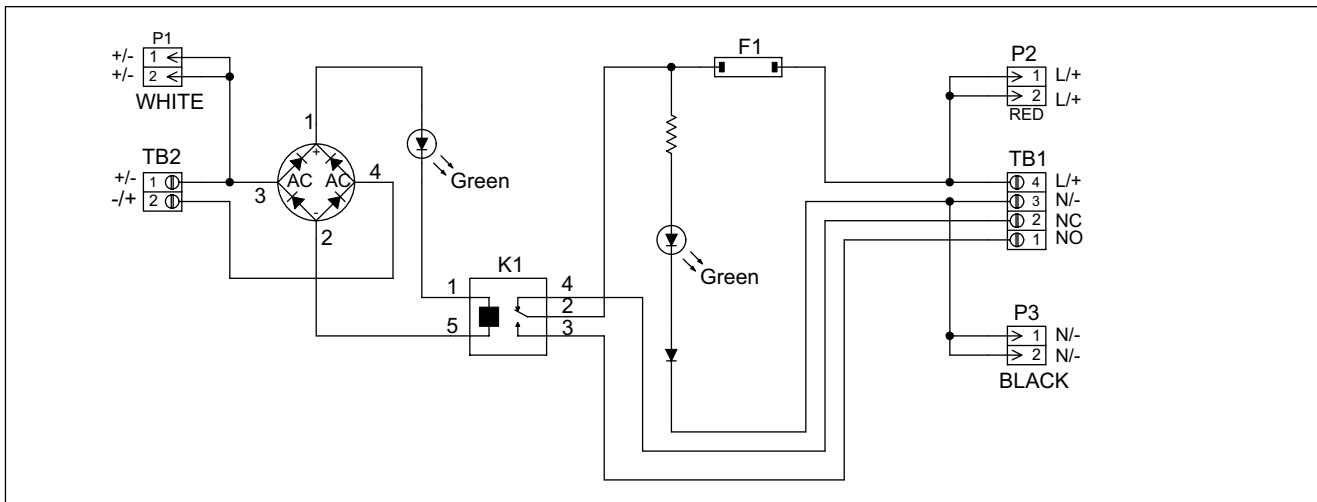
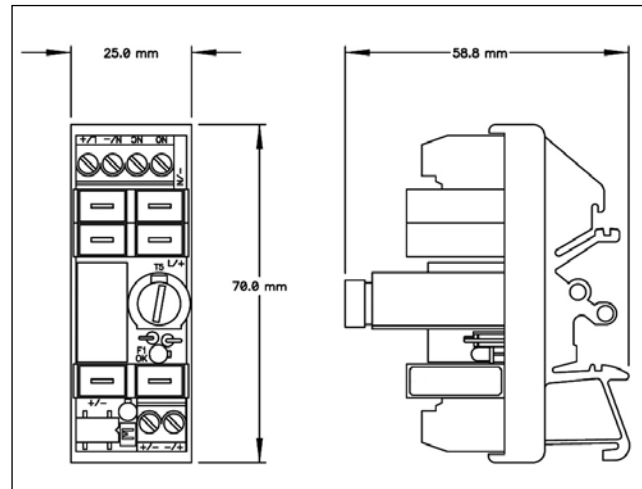
The input is rated 24Vac/dc and a second green LED indicates the coil is energized.

A jumpering system is provided for the common of the relay contact, the N/- of the output circuit (used for the LED status indicator) and one side of the input. For the input either the + or - can be commoned allowing the input to be switched positive or

switched negative. The jumpers use 0.187” push-on terminals. Jumpers are provided with the module.

**Ordering information:**

**Catalog Number**                      **330011**



**SPECIFICATIONS**

INSTALINK™ – FRM	
<b>Catalog Number</b>	<b>330011</b>
<b>Coil:</b>	24Vdc nominal, 32Vdc max., 400mW nominal (17mA @ 24Vdc)
<b>Contacts:</b>	1 form C, 5A @ 125Vac, 30Vdc, Silver alloy material
<b>Fuse:</b>	Fuse in series with common ("L/+"), 5x20mm, 5A max. Fuse status LED (green; on=fuse healthy) requires connections to neutral or 0V ("N/-")
<b>Switching time:</b>	5ms excluding bounce
<b>Operating temperature:</b>	-20° to +70°C
<b>Terminations:</b>	26-12 AWG
<b>Cross connections:</b>	16-14 AWG, 0.187" push-on
<b>Dimensions:</b>	25 x 70 x 58mm
<b>Mounting:</b>	32 or 35mm DIN rails
<b>Approvals:</b>	E256770
<b>Additional jumper:</b>	catalog number 330114